

TYPE 400

BRASS BALL VALVE

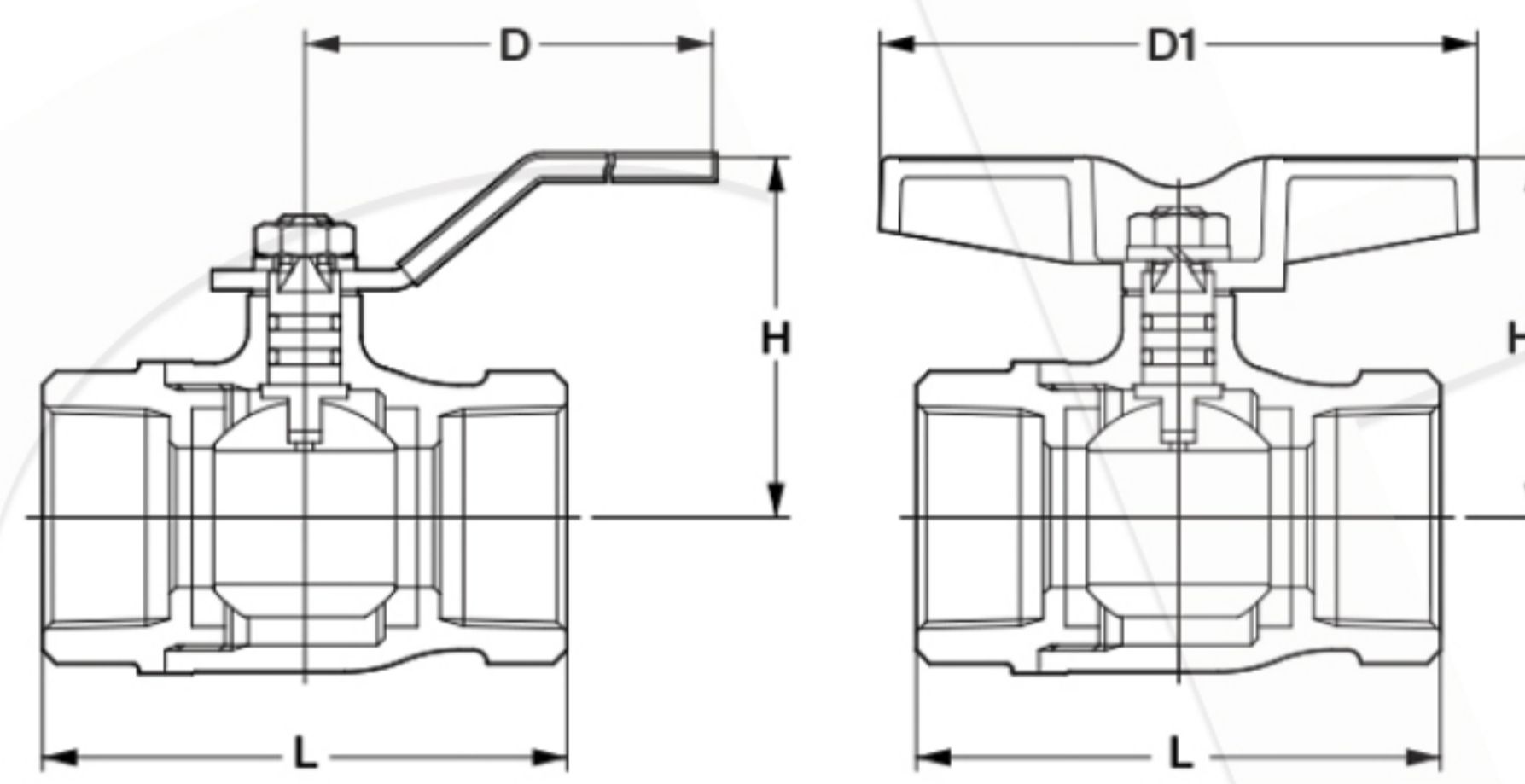
Screwed body cap, Blowout-proof Stem,
Double O-ring stem seals
Threaded ends to BS21 or NPT

W.O.G. non-shock 2.76 MPa (400 psi), W.O.G. 150°C 0.69 MPa (100 psi)



Fig. T

• Threaded end to BS21



Materials

Parts	Material
Body	Brass/Bronze*
Body cap	Brass/Bronze*
Stem	Dezincification Resistant Brass
Ball	Brass**
Ball seat	PTFE
O-ring	FKM

*Size 4 only

**Nickel-chrome plated

Dimensions

Nominal Size	inch mm	mm											
		1/4	3/8	1/2	3/4	1	1 1/4	1 1/2	2	2 1/2	3	4	
L		50	50	65	68	79	86	96	109	127	153	179	
H		45	45	45	50	55	60	65	75	91	105	124	
H1		41	41	44	48	55	61	66	80				
D		60	60	80	80	110	110	110	140	200	300	400	
D1		65	65	80	80	90	105	105	120				

*TT: 1/4 to 2